

MyCloud Mini

The MyCloud Mini is designed for one portable 2.5" SATA hard drive. It provides safe and secure network storage plus the ability to easily share your digital content with family and friends. Stream content within your local network to any available UPnP-AV and DLNA device (e.g. PS3, iTunes, Windows 7, etc.). Remotely access your files through any internet connected computer or through our free iPhone, iPad and Android apps.

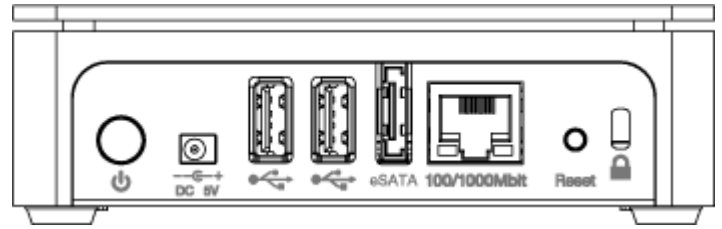
CPU	<ul style="list-style-type: none"> Dual-core 750MHz (SOC)
Memory	<ul style="list-style-type: none"> 256MB DDR2 SDRAM 256MB NAND flash
Internal hard drive	<ul style="list-style-type: none"> 2.5" SATA-I or SATA-II hard drive HDD height 9.5mm - 14.8mm Capacity 20GB - 1.5TB (supports large volumes in excess of 2TB) XFS file system
Front I/O	<ul style="list-style-type: none"> 1 x Dual color status LED
Rear I/O	<ul style="list-style-type: none"> 1 x Power receptacle 1 x RJ45 connector (10/100/1000) with two LEDs for link and activity 2 x USB 2.0 host connectors 1 x eSATA host connector 1 x Reset button 1 x Power button


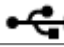

Front View



Flashing blue	System is starting up
Blue	System is running and ready
Red	System error (system is unable to start up)

Rear View



	Power button
DC 5V	Power receptacle
	USB 2.0 host port
eSATA	eSATA host port
10/100/10000	Gigabit Ethernet port
Reset	System reset button
	Security lock slot

To reset the configurations (e.g. admin password and network settings), make sure the power is ON and the system is running. **Press and hold the reset button for 5-10 seconds** and then release it. Wait until the system LED stops flashing before attempting to login again.



To reset the device back to factory default, **press and hold the reset button for 12 seconds** and then release it. After the reset, it will be necessary to [manually mount the HOME and SWAP partition](#). Also, even though the private files of the other users can still be accessed by the admin, it will be necessary to recreate the previous user accounts before the users can login again and access their existing data.

Power ON/OFF Procedure

Connect the power supply to your device first and only then plug it into the wall outlet. The system starts up automatically as soon as you plug in the power supply. It takes about 1-2 minutes for the device to go online but the blue system LED will indicate when the system is ready.

To safely turn off the device, press and hold the power button for about 4 seconds until the red LED starts flashing. The system will then shut down all services and about 20 seconds later, it will power down.

If for some reason the system is unresponsive, press and hold the power button for 6 seconds to forcefully shut down the system and cut off the power.



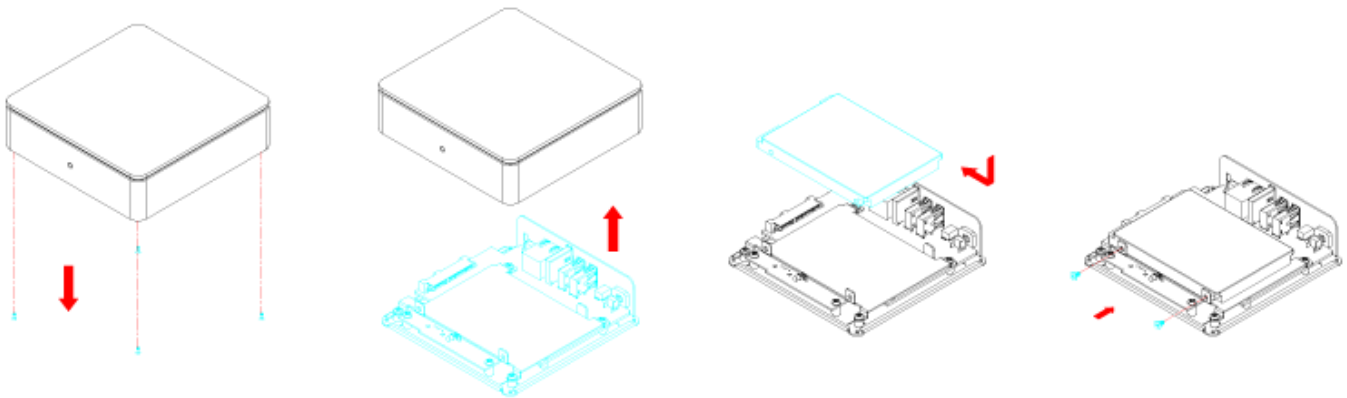
If the device is not in use for long periods of time, we recommend that you turn off the



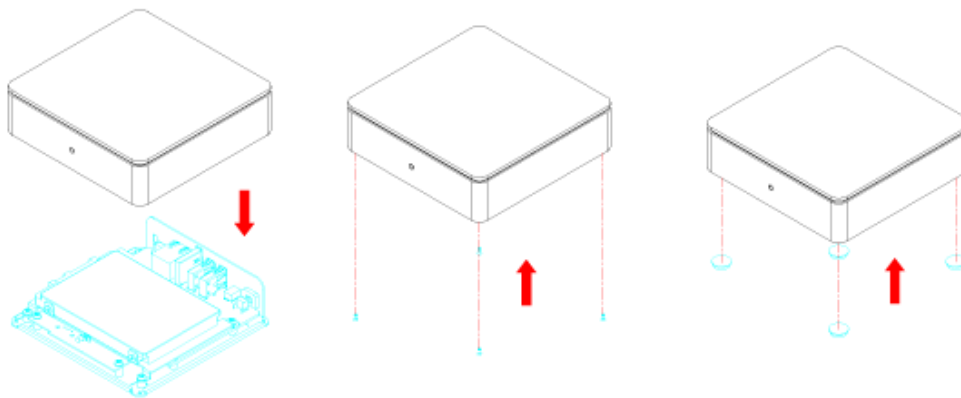
device and remove the power supply from the wall socket.

HDD Installation

Remove the screws on the bottom of the case and lift up the top of the enclosure. Install the hard drive in the HDD chassis and fasten the screws on the side to hold it in place.



Replace the top enclosure. Fasten the screws on the bottom of the case, place the rubber feet over the screws and stick them on the casing to cover the screws.



From: <http://wiki.myakitio.com/> - **MyAkitio Wiki**

Permanent link: http://wiki.myakitio.com/mycloud_mini

Last update: **2014/12/23 17:38**

